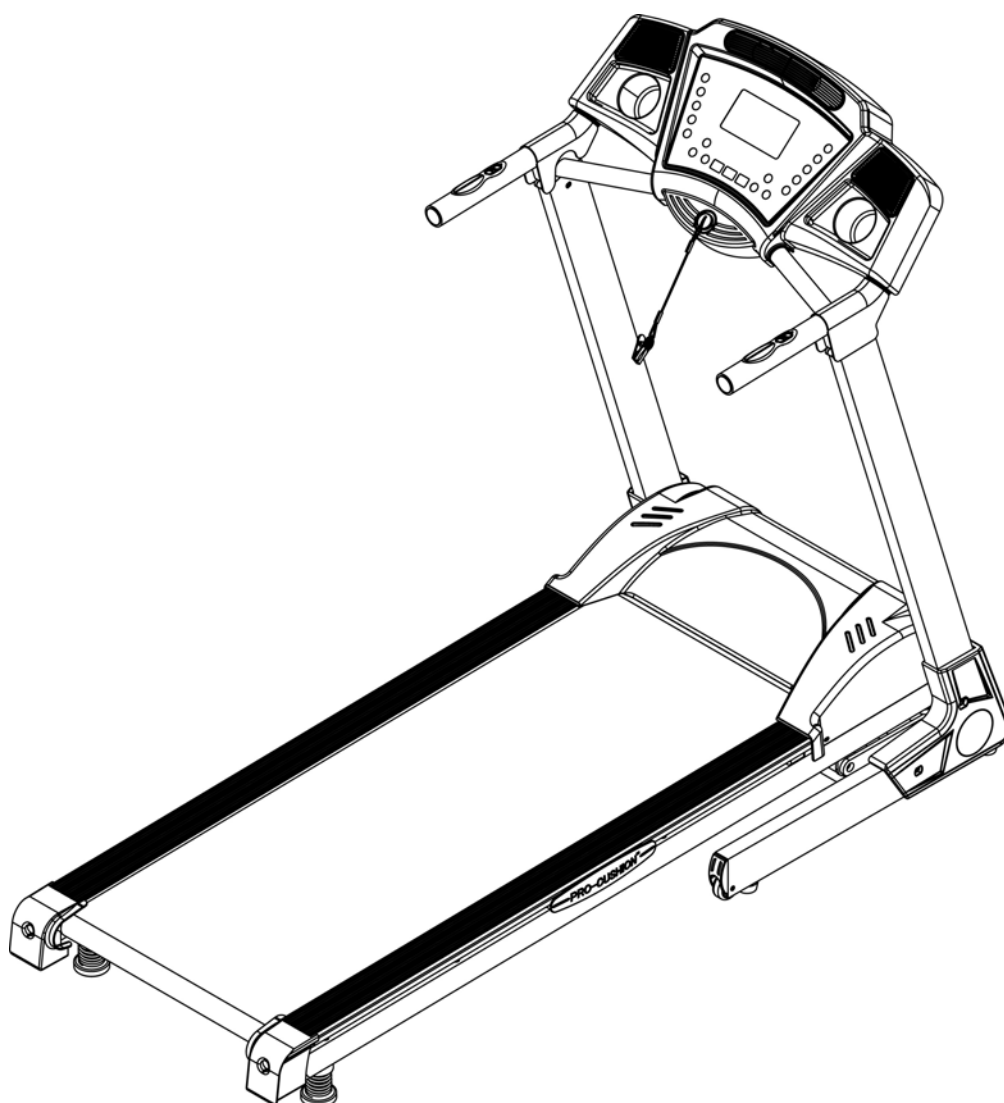


---

# Installation Guide

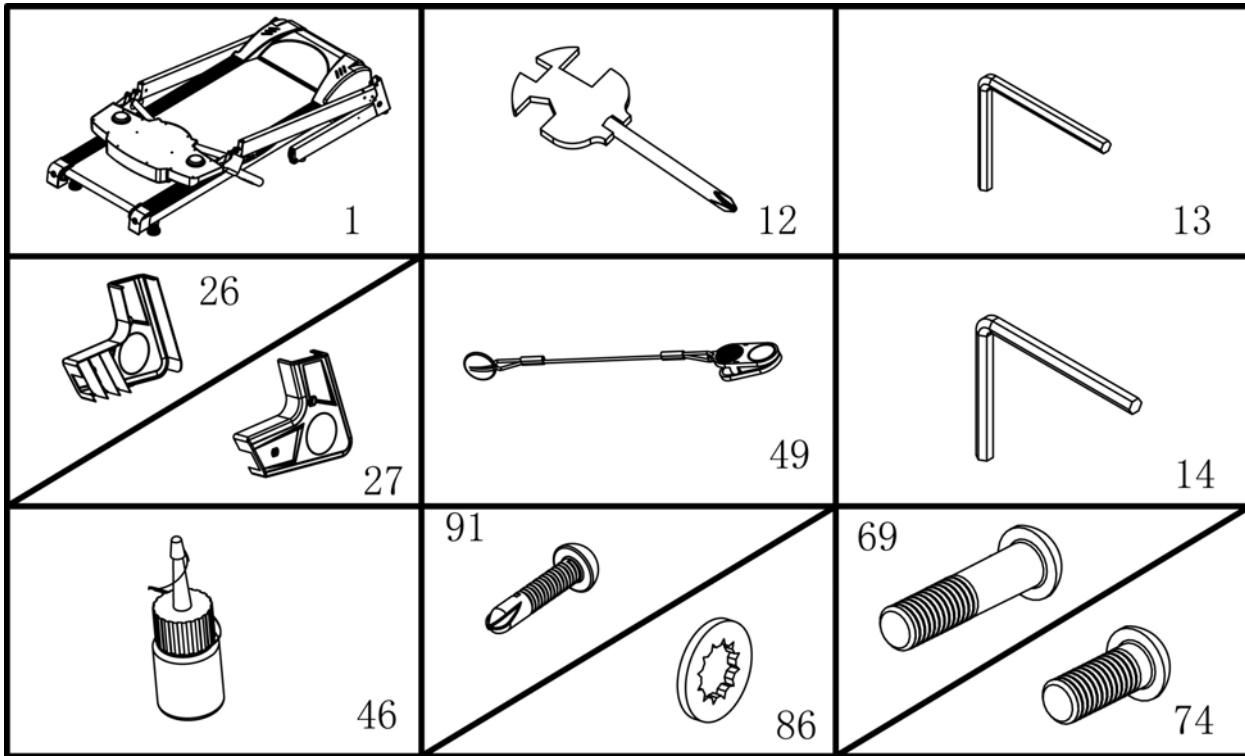
## Reach T-7





# ASSEMBLY INSTRUCTIONS

When you open the carton, you will have below spare parts:



## SPARE PARTS LIST:

NO.	DISCRIPTION	SPECIFICATION	QTY	NO.	DISCRIPTION	SPECIFICATI ON	QTY
1	MAIN FRAME		1	46	Oil Bottle		1
12	Allen Wrench	S= 13\14\15mm	1	49	SAFETY KEY		1

13	5# Allen Wrench	5mm	1	69	Bolt	M8*45	2
14	6# Allen Wrench	6mm	1	74	Bolt	M8*16	6
27	Basic right cover		1	86	Lock washer	8	8
26	Basic left cover		1	91	Bolt	ST4.2*19	4

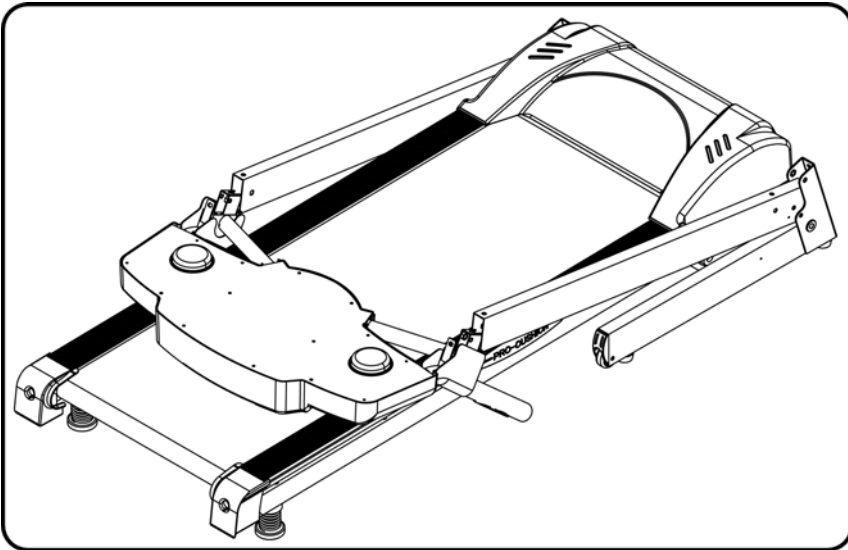
**FIXING TOOLS:**

5#Allen Wrench 5mm 1pcs、

**Notice:** Do not get through power before complete assembly

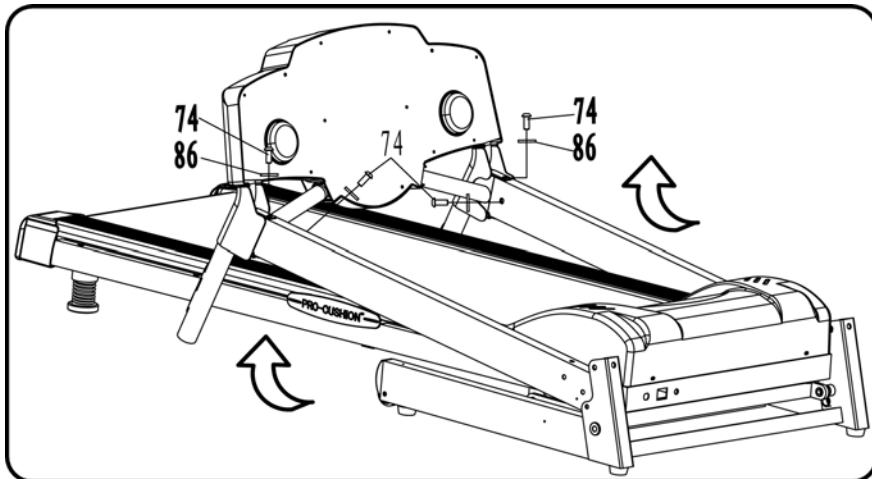
## ASSEMBLY STEPS

**STEP 1:**



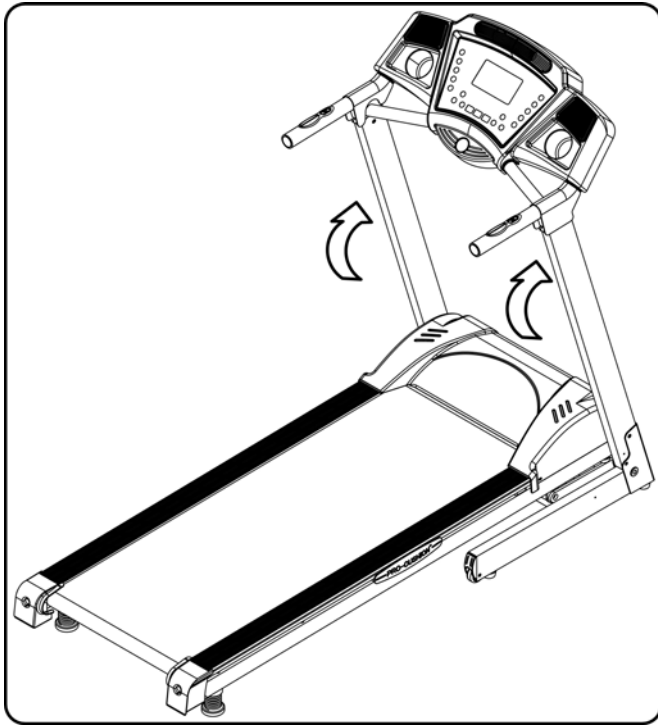
1、 Open the carton and put the Main Frame onto the level ground.

**STEP 2:**



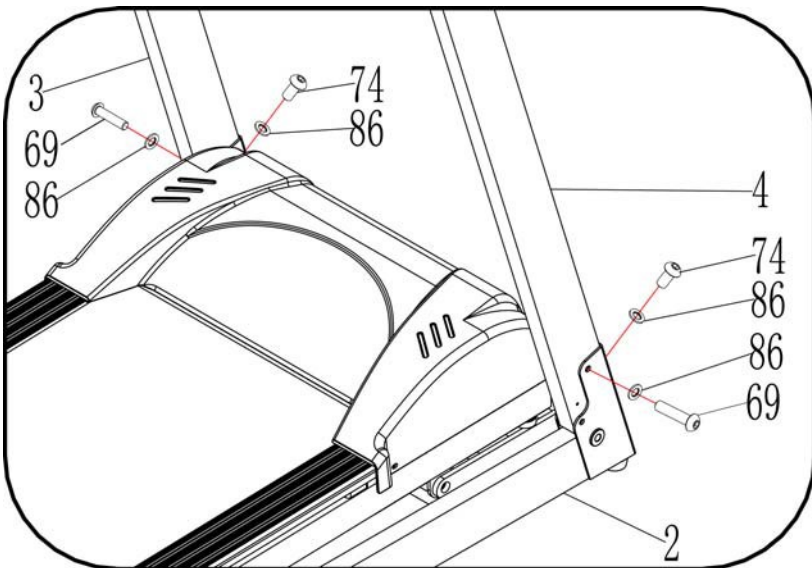
2. Holding the computer frame, Use the 5# Allen Wrench, drill through the Bolt (74) to Lock Washer (86), then lock the computer onto left & right upright

**STEP 3:**



1. Push up the Computer and L& R upright as the arrow position.

**STEP 4:**



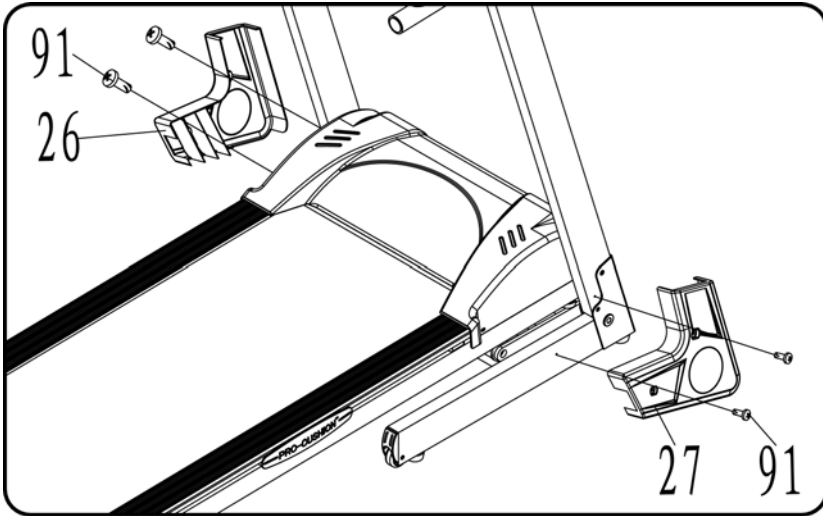
1. Use 5# Allen wrench(13), the Bolt M8\*45 (69), Lock washer (86) and to fix the Right Upright Tube onto the base.

2. Use 5# Allen wrench(13), use the M8\*16 bolt(74) and lock washer (86) to fix the Right Upright Tube onto the base.

3. Repeat for the Left Upright Tube.

*Notice: Support the upright with hand, avoid falling down to have any hurt.*

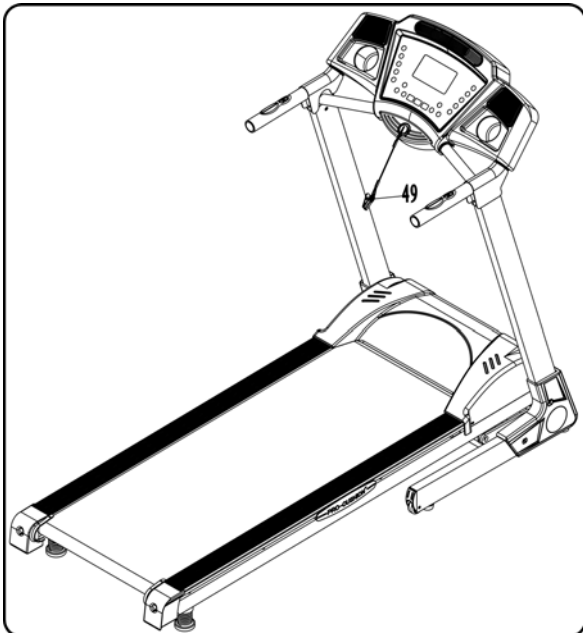
**STEP 5:**



1. Use ST4.2\*19 Bolt (91), fix the base right cover(27) on the Right upright group and base.

2. Use ST4.2\*19 Bolt(91), fix the base left cover(26) on the Left upright group and base.

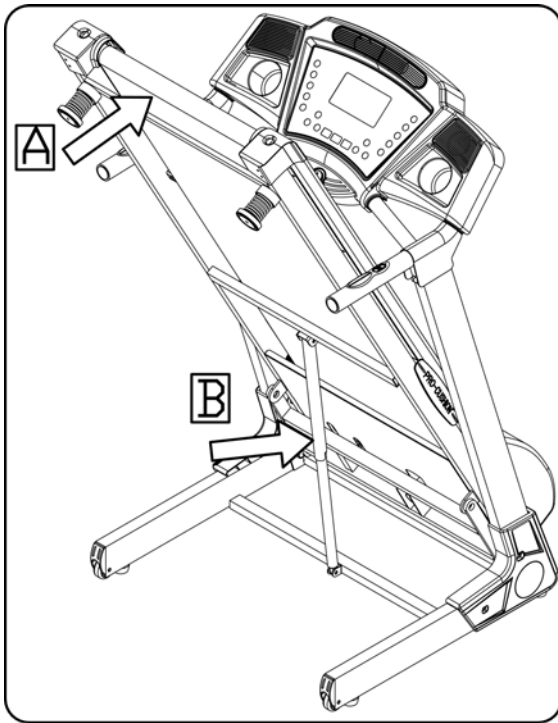
**STEP 6:**



1. Put safety key (49) on its place, turn on the power switch.

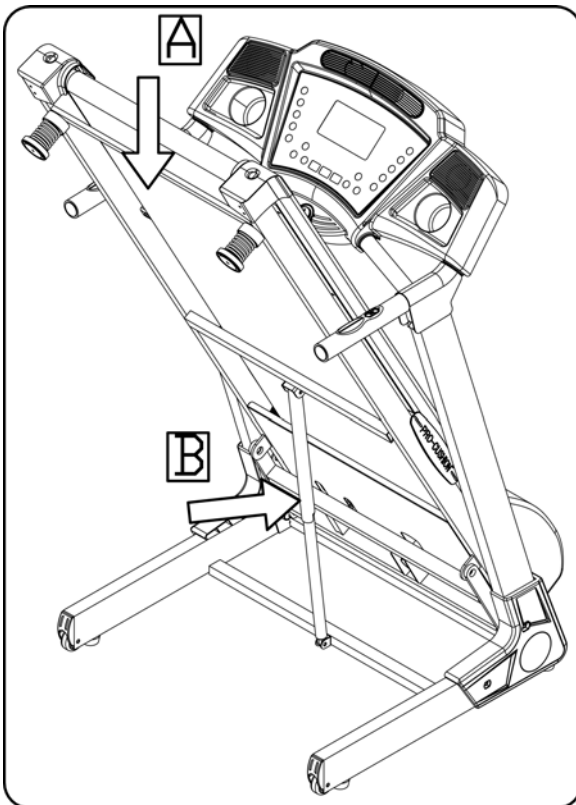
**ATTENTION:** Please confirm complete assembly as required above and lock the bolt. Do the following operation after checking everything is OK. Before you use the treadmill, please read the instruction carefully.

## Pulling up:



1、 Support place A with hands, then pull up the machine, till hearing the sound that pin bar B is locked into the round tube

## Pulling down:



1、 Support place A with hands. Hold up the machine slightly and kick the pin bar then pull down the frame by hand and let it down automatic till on the floor.

---

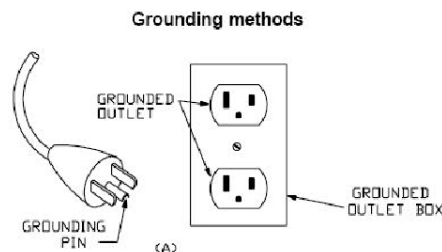
## *Technical Parameter*

<b>BUILT UP SIZE(mm)</b>	1691*720*1315mm	<b>POWER</b>	<b>As the rating label showing</b>
<b>FOLDABLE IZE(mm)</b>	938*720*1525mm	<b>Maximum output power</b>	<b>As the rating label showing</b>
<b>RUNNING BOARD SIZE(mm)</b>	480*1300mm	<b>SPEED RANGE</b>	1-16KM/H
<b>NET WEIGHT</b>	64 KG	<b>MAX USER WEIGHT</b>	120KG
<b>1 LCD WINDOW WITH BLUE BACKGROUND</b>	<b>Speed, Time, Distance, Calories, Pulse</b>		

## *Grounding Methods*

This product must be grounded. If it should malfunction or breakdown, grounding provides a path of least resistance for electric current to reduce the risk of electric shock. This product is equipped with a cord having an equipment-grounding conductor and a grounding plug. The plug must be plugged into an appropriate outlet that is properly installed and grounded in accordance with all local codes and ordinances.

**DANGER** – Improper connection of the equipment-grounding conductor can result in a risk of electric shock. Check with a qualified electrician or serviceman if you are in doubt as to whether the product is properly grounded. Do not modify the plug provided with the product – if it will not fit the outlet, have a proper outlet installed by a qualified electrician. This product is for use on a nominal 220-240-volt circuit and has a grounding plug that looks like the plug illustrated in sketch A in following figure. Make that the product is connected to an outlet having the same configuration as the plug. No adapter should be used with this product. (**The below picture is just for reference**)





# TROUBLE SHOOTING GUIDE

Fault Code	Main reason	Solution
E01	The wire from computer to bottom control board didn't connected well	<ol style="list-style-type: none"> <li>1. Check the connection wire between computer and control board was well connected.</li> <li>2. Make sure the IC on the control board was well inserted. If not re-insert.</li> <li>3. Abnormal power supply in control board. Please change a new control board.</li> </ol>
E02	Protect the exploding	<ol style="list-style-type: none"> <li>1. Bad contact with motor open circuit. Please change a new motor or check the connector.</li> <li>2. Power tube was puncture. Please change a new Power tube or control board.</li> </ol>
E05	Overcurrent Protection	<ol style="list-style-type: none"> <li>1. Overloaded.</li> <li>2. Running board with heavy resistance. Need to be oiled</li> <li>3. Damage in Motor. Change a new motor.</li> </ol>
E06	Control board self-checking	
E08	EEPROM damage	Change the control board

## Calorie Computational formula

$$70.3 \times V(\text{Km/h}) \times t(\text{h})$$

It will take 70.3 calories per kilometers under condition that the incline is 0.

---

## *Running Belt Adjustment*

**Warning: ALWAYS UNPLUG THE TREADMILL FROM THE ELECTRICAL OUTLET BEFORE CLEANING OR SERVICING THE UNIT.**

**Clean:** General cleaning the unit will greatly prolong the treadmill.

Keep treadmill clean by dusting regularly. Be sure to clean the exposed part of the deck on either side of the walking belt and also the side rails. This reduces the build up of foreign material underneath the walking belt by wearing the clean running shoes.

**Warning: Always unplug the treadmill from the electrical outlet before removing the motor cover.** At least once a year remove the motor cover and vacuum under the motor cover.

### **RUNNING BELT AND DECK LUBRICATION**

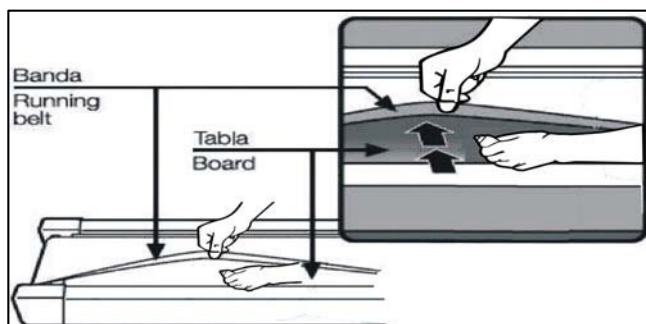
This treadmill is equipped with a pre-lubricated, low maintenance deck system. The belt/ deck friction may play a major role in the function and life of your treadmill, thus requiring periodic lubrication. We recommend a periodic inspection of the deck. You need contact with our service center if you find the damage of the deck.

We recommend lubrication of the deck according to the following timetable:

- Light user (less than 3 hours/ week)                      annually
- Medium user (3-5 hours/ week)                              every six months
- Heavy user (more than 5 hours/ week)                    every three months

We recommend that you buy the lubrication from our distributor or directly to our company.

**Attention:** Any repair need the professional technician.



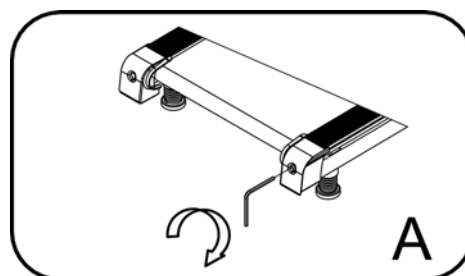
1. We suggest that you should switch off the power for 10 minutes after keep running 2 hours , so that it's good for maintain the treadmill.

2.For avoiding the slipping during running , the belt should be not too loose; for avoiding the more abrasion between the roller and belt and maintain the machine's good running ,the belt should be not too tight. You can adjust the distance between deck and belt , the belt should be away from the deck about 50-75mm on both sides.

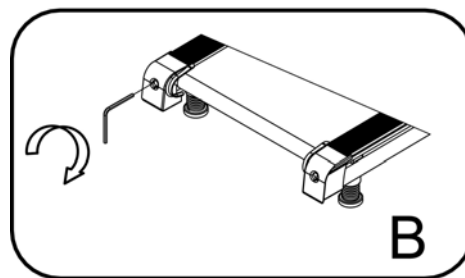
## Center the running belt

Place treadmill on a level surface. Run Treadmill at approximately 6-8KM/H, checking the running condition.

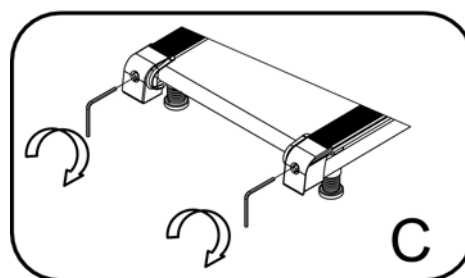
If the belt has drifted to the right, pull out of the save clock and switch, turn the right adjusting bolt 1/4 turn clockwise, then start running until centering the belt. PIC A



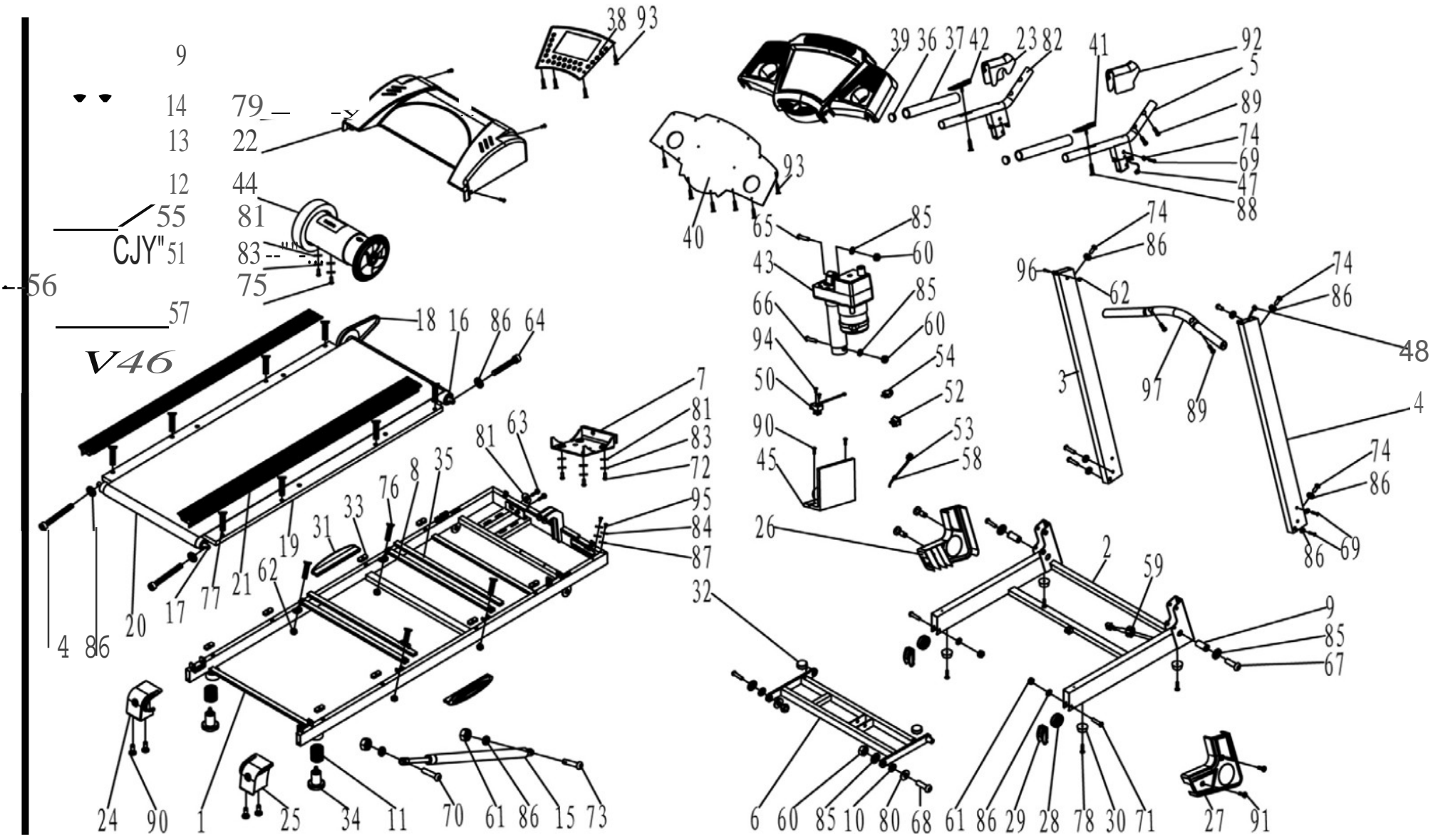
If the belt has drifted to the left ,pull out of the safety clock and switch, turn the left adjusting bolt 1/4 turn clockwise ,then start running until centering the belt .PIC B



Timely adjust the tightness of the belt ,for the looseness after a period of time running. Pull out of the safety clock and switch , turn the left and right adjusting bolt 1/4 turn clockwise ,then re-start running, confirm the belt-tightness until the belt be right tightness. PIC C



# Exploded Diagram



NO.	DISCRIPTION	SPECS	QTY.	NO.	DISCRIPTION	SPECS	QTY.
1	Main frame		1	51	Magnet ring		1
2	Base frame		1	52	Switch		1
3	Right upright tube		1	53	Standard power line		1
4	Left upright tube		1	54	Overload Protector		1
5	Right Handrail tube		1	55	AC single wire		1
6	Incline frame bracket		1	56	Blue single wire		1
7	Motor bracket		1	57	Brown single wire		1
8	Running Board Strengthen tube		2	58	Power line buckle		1
9	Turning pipe		2	59	The annular convenient plug		2
10	Pipe		2	60	Screw	M10	4
11	Spring		2	61	Screw	M8	4
12	Allen Wrench	S=13、14、15	1	62	Screw	M6	4
13	5#inner wrench	5mm	1	63	Bolt	M8*30	2
14	6#inner wrench	6mm	1	64	Bolt	M8*65	3
15	Air Pressure Bar		1	65	Bolt	M10*42	1
16	Front Roller		1	66	Bolt	M10*55	1
17	Back Roller		1	67	Bolt	M10*60	2
18	Motor Belt		1	68	Bolt	M10*30	2
19	Running Board		1	69	Bolt	M8*45	6
20	Running Belt		1	70	Bolt	M8*42	1
21	Side rails		2	71	Bolt	M8*40	4
22	Motor Cover		1	72	Bolt	M8*32	4
23	Left Upright Cover		1	73	Bolt	M8*25	2
24	Left end cap		1	74	Bolt	M8*16	6
25	Right end cap		1	75	Bolt	M8*12	2
26	Basic left cover		1	76	Bolt	M6*40	4
27	Basic Right cover		1	77	Bolt	M6*35	8
28	Transport Wheel		2	78	Bolt	M6*16	4
29	Wheel Cover		2	79	Bolt	M5*8	4
30	Foot Pad		4	80	Flat washer C	10	2
31	Spring Rubber Pad		2	81	Flat washer C	8	7
32	Undercut Cushion		2	82	Left Handrail Tube Basket		1
33	Rubber Pad		8	83	Stander lock washer	8	6
34	Rubber Foot Pad		2	84	Lock washer	5	2
35	EVA		2	85	lock washer	10	4
36	Round Plug		2	86	Lock washer	8	15
37	Foam Grip		2	87	lock washer	5	2
38	Console panel		1	88	Bolt	ST4.2*28	2
39	Computer up cover		1	89	Bolt	M6*22	6
40	Computer bottom cover		1	90	Bolt	ST4.2*19	6
41	Hand pulse with speed button		1	91	Bolt	ST4.2*19	4
42	Hand pulse with incline button		1	92	Right Upright Cover		1
43	Incline motor		1	93	Bolt	ST4.2*13	19
44	Dc Motor		1	94	Bolt	ST2.9*6.5	2
45	Control board		1	95	Bolt	M5*15	2
46	Oil Bottle		1	96	Bolt	M6*27	2
47	Computer up wire		1	97	Handrail Tube Basket		1
48	Computer bottom wire		1	98			
49	Safety Key		1	99			
50	Light sensor		1	100			